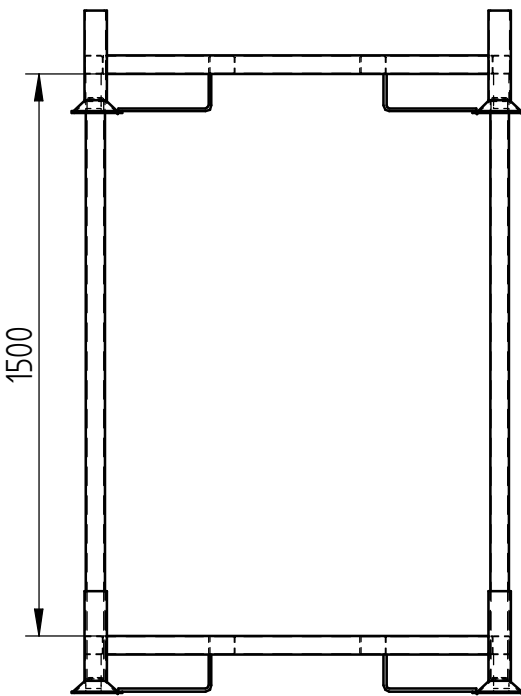
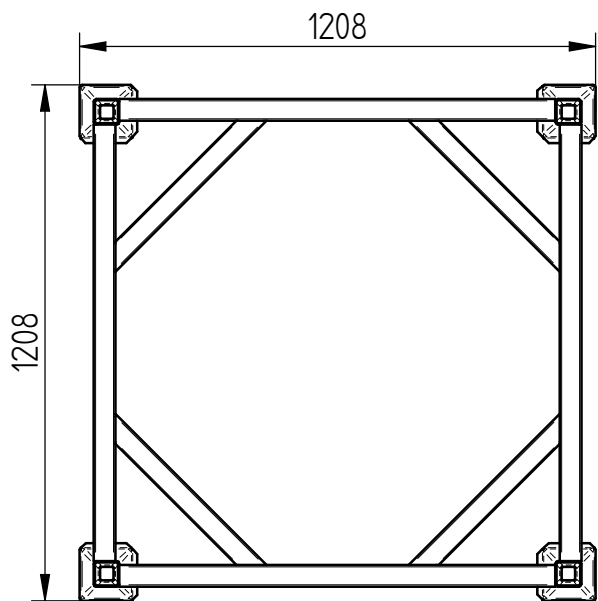
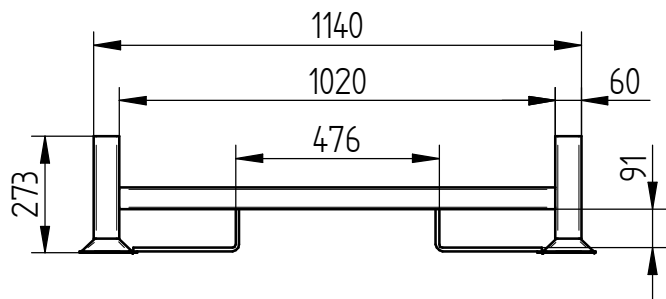


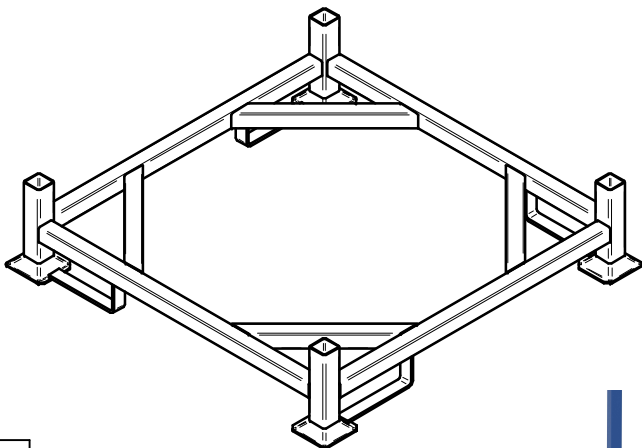
ARMT5



Weight: **29 kg**
 Max load: **1000 kg**
 Coating: **Powder paint or zinc**
 Transport: **264pcs/Z 90pcs/40HC**



ARMT5/1500



ARMT5/MIX



PRODUCT DATA SHEET				
VARIANT	USABLE HEIHT [mm]	OVERALL HEIGHT [mm]	STACK [pcs.]	MAX VERTICAL LOAD [kg]
ARMT5/1500	1500	1840	1+4	5000
ARMT5/1750	1750	2090	1+3	4000
ARMT5/2150	2150	2490	1+2	3000
ARMT5/2400	2400	2740	1+2	3000
ARMT5/MIX	1500	1840	1+4	5000
ARMT5/MIX	2400	2740	1+2	5000